

# Direct Drive - Air, Electric or Hydraulic

## Pit Bull™ Series 148

To handle single 3/4" - 1" I.D. hose

### Features

- 1" Female NPT threads
- Pressures to 207 bar/3000 PSI
- Temperatures from -51°C to +121°C
- Full flow hub
- Stainless steel fasteners
- Stainless steel hose guide
- Standard full flow 90° swivel inlet/outlet

### Used For

- Fuel delivery\*
- Air / water
- Waste oil evacuation\*\*
- Bulk transfer grease
- Coolant



Model Number	Hose Capacity Of Reel m			Approx. Weight kg		Standard Roller Assy	Reel Dimensions*** mm												
	I.D. in. mm	3/4 19	1 25	NET	Freight SHIP Wt.		A	B	C	D	E	F AIR	F HYD	G	H	X1	Y1	X2	Y2
	O.D. in. mm	1-9/32 33	1-9/16 40				F	F	G	H	X1	Y1	X2	Y2					
PB25-220-650TGS		21	17	58	63	Single	319	216	290	300	690	455	645	690	375	213	250	183	200
PB25-220-650TGD		21	17	67	73	Dual	319	216	290	300	690	455	645	690	375	213	250	183	200
PB25-270-650TGS		26	22	59	64	Single	362	253	290	300	690	460	650	690	375	256	250	226	200
PB25-270-650TGD		26	22	68	73	Dual	362	253	290	300	690	460	650	690	375	256	250	226	200
PB25-290-650TGD		31	26	70	75	Dual	377	290	290	300	690	465	655	690	375	271	250	241	200
PB25-355-650TGD		39	33	74	80	Dual	437	358	290	300	690	512	678	690	375	331	250	301	200
PB25-425-650TGD		47	40	82	90	Dual	544	426	290	300	690	614	780	690	375	449	250	408	200

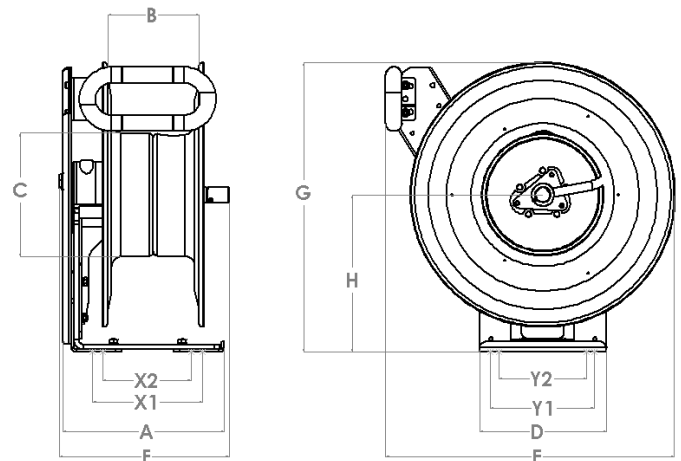
### Notes

1. Specifications subject to change without notice.
2. Other sizes, from standard components, available upon request.
3. Weights shown in table are for air rewind models. ADD (kgs): Hydraulic & Electric 1.4 kg
4. Specify if evacuation/suction application prior
5. When ordering, prefix model number with: A = Air E = Electric H = Hydraulic
6. Be sure to check dimensions and weights prior to ordering.

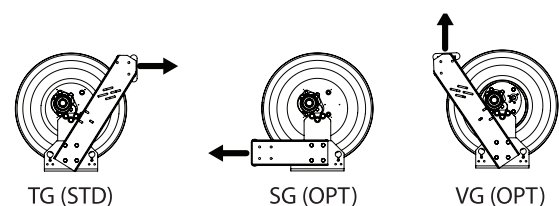
Air motor must have filtered / lubricated air supply. Install reel in attitude to prevent water penetration of air motor exhausts.

Flexible Connectors must be fitted between supply line to hose reel inlet swivel joint.

\*\*Specify if evacuation suction application prior



\*\*\* w, x, y and z indicate mounting holes



Available Hose Guide Positions

### Ordering Example:

Air rewind reel to handle 46 metres of 1" I.D. Hose with TG single guide arm order as follows: **APB25-290-650 TGD-3K**