

Torsion Spring – Short-Range Hose (SRH) Loader

OPW SRH Bottom Loading Arms allow simultaneous connecting and filling of up to three product lines. Similar to counterweighted hose loaders, SRH loaders are generally stored horizontal and only slight upward or downward movement is required to align the coupler with the tank truck adaptor.

A proven performer in oil terminals around the world, the SRH sets the standard for cost-effective, low-maintenance and user-friendly operation.



Features:

- 790 EZ Adjust Torsion Spring (3-Year Warranty)
- Integral Upward, Downward Travel Stops
- Carbon Steel/Aluminum Construction
- Low Temperature Fluorocarbon Seals
- Braided Stainless Steel or Rackmaster Composite Hose
- Available in Upfeed and Downfeed Configurations with Left-Hand and Right-Hand Orientations
- 360° Rotation Allows Loading on Both Sides of Loading Bay

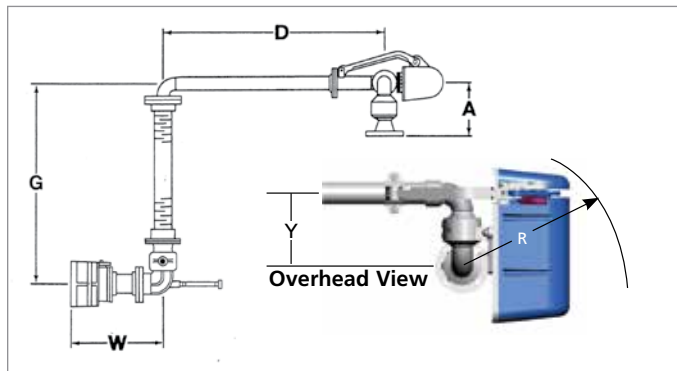
Benefits:

- Safe, Easy Spring Adjustment
- No Special Tools Required
- Conforms to API Bottom Loading Envelope with (3) arms on 21" (533 mm) centers
- Ideal for Converting Top-Loading Rack to Bottom Loading



Torsion Spring - Short Range Hose (SRH) Loader

SRH-32-F (Short Range) Dimensions*



Size		A		D		G	
in.	mm	in.	mm	in.	mm	in.	mm
3	76	10-1/2	267	52	1321	104	2642
4	102	11-3/4	298	52	1321	104	2642

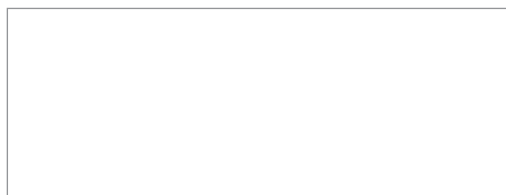
W		R		Y	
in.	mm	in.	mm	in.	mm
21	533	18-1/2	470	10-3/4	273
21	533	20	508	12-3/4	324

*Custom dimensions also available

Specifications

Materials	Carbon Steel/Aluminum
Seals	Low Temp Fluorocarbon
Working Pressure	125 PSI (862 kPa)
Test Pressure	188 PSI (1296 kPa)
Operating Temp	-20° to 140°
Up/Down Angular Movement	+45° to -15° (from horizontal)
Typical Horizontal Spacing	26" (660 mm)
Typical Vertical Spacing	15" (381 mm)
Typical Reach (radius)	50" to 70" (1300 mm to 1778 mm)
Typical No. of arms per bay	up to 5

Distributed by:



Accessories

Drop Spool	4" Aluminum or Carbon Steel	As Required
Drop Hose	4" Rackmaster Composite, 80" OAL, TTMA Flanged Ends	L19080
	4" Braided Stainless Steel, 80" OAL, TTMA Flanged Ends	L19081
Coupler Swivel	4" Style 30 (90°) Swivel Joint with Maneuvering Handle TTMA Flanged Ends, Aluminum/ Low Temp Fluorocarbon	3635FTH-0402
Butterfly Valve	4" Full Flow, Position-Locked Butterfly Valve	LBV450VGL
Spacer Spool	4" Loading Arm Coupler Spool, TTMA Flanged Ends, Aluminum 6" OAL	VSS4
Sight Glass	4" Acrylic Sight Glass, Tempered, Cast Acrylic	BF4-SG-25
API Coupler	4" API Bottom Loading Coupler	
	Manual Version:	1004D3-0402 (Fluorocarbon Seals)
	Semi-Automatic Version:	LYNX852 (Fluorocarbon Seals)

Ordering Information

SRH32F - 52 - 0402 - RH

Loading Arm Type	Feed	Reach	Seal Type	Orientation
SRH = Short Range Hose	32 = Upfeed 33 = Downfeed	52 = 52" (1321 mm) 60 = 60" (1524 mm) 70 = 70" (1778 mm)	02 = Fluorocarbon Size 04 = 4"	RH = Right Hand LH = Left hand