

FILL-RITE®

The Most Trusted Name in Pumps and Meters

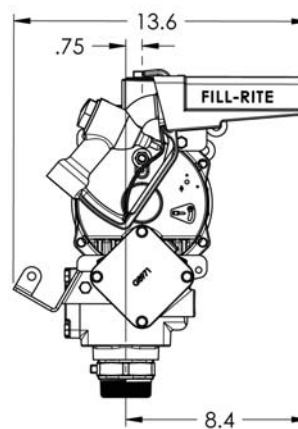
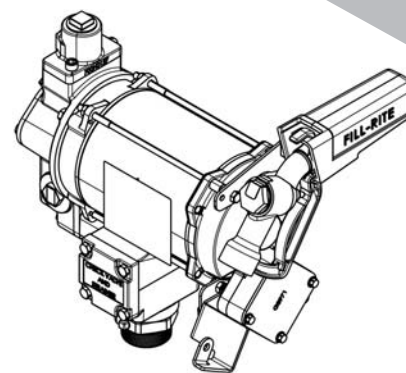
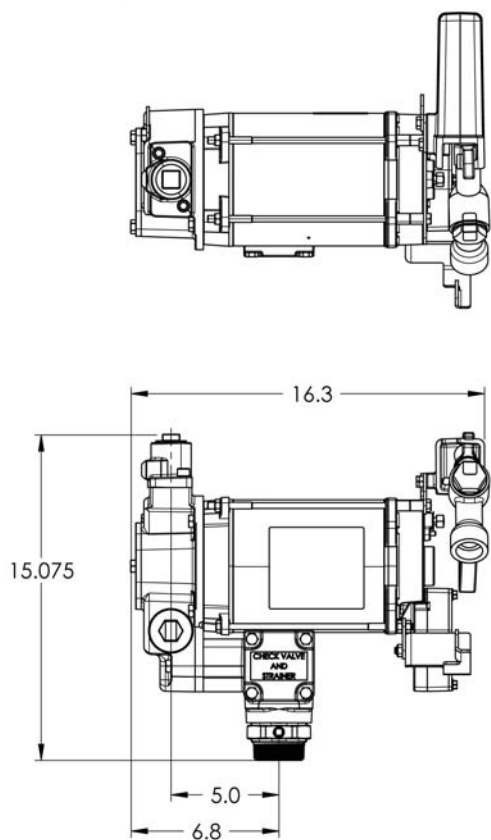


FR311VB

Technical Specifications

SERVICE KIT INFORMATION

Motor		Kit	Description	Parts
Power - AC 115,230, 115/230 VAC	115/230	KIT300BD	Bio-Diesel Kit	Special shaft seal assembly, gasket, inlet gasket, bypass O-ring
HZ 50,60,50/60	60/50	KIT300BV	Bypass Kit	Poppet, spring, O-ring, cap
Power - DC 12, 24, 12/24	N/A	KIT300JC	Junction Box	Junction box cover, O-ring, hardware
HP (Horsepower) Rating	3/4 HP	KIT120NB	Nozzle Boot Kit	Nozzle boot, attaching hardware
Power Cord Length (feet)	N/A	KIT300NR	Nozzle Retainer Kit	Nozzle retainer and attaching hardware
Power Cord Gauge (AWG)	N/A	KIT700BG	Inlet Kit	Inlet adapter, AST 2 x 1 1/4
DC Power Cord Connectors	N/A	KIT300SW	Switch Lever	Switch lever and nut
Amps (FLA)	9.8/4.9 11.4/5.7	KIT120NB	Nozzle Boot Kit	Nozzle boot, attaching hardware
RPM	1725/1425	KIT300RG	Rotary Group	Rotor, 8 vanes, rotor key, gasket, rotor cover, 4 screws
Duty Cycle	30 min.	KIT300SL	Shaft Seal	8 piece assembly
Thermal Protection Switch	Yes	KIT300OT	Outlet Kit	Outlet flange, O-ring seal, attaching hardware
Circuit Protection Fuse	None	KIT700AS	Anti-Siphon Kit	Anti-siphon valve, Teflon tape, elbow adapter, stainless steel braided hose, attaching hardware
Certification	UL, cUL			
Pump				
Type - Rotary, Diaphragm, Gear, Vane	Rotary Vane			
GPM in Supplied Configuration	28.7			
GPM Open Flow - no Hose or Nozzle	34.3			
By-Pass Pressure Rating (PSI) - Max	26 PSI			
Dry Vac (in Hg)	14			
Head - Max (Ft.)	60.06			
Anti-Siphon Valve	Anti-Siphon Ready			
Inlet - Size / Thread	1.25"			
Outlet - Size / Thread	NPT			
Mount	Bung (NPT)			
Material - Pump Housing	Cast Iron			
Material - Wetted Material	Buna			
Rotor Material	Iron / Copper			
Rotor Vane Material	Carbon			
Compatible Fluids	Diesel, Gasoline, Bio-Diesel up to B20, E15, Kerosene			
Strainer Mesh Size	40 x 40 x .008"			
Warranty	2 Years			



Accessories

Suction Pipe Material	N/A
Suction Pipe Length	N/A
Nozzle - Size	1" Manual
Nozzle - Manual / Automatic	Manual
Hose Diameter	1"
Hose Length	12'
Hose Material of Construction	Black Nitrile Rubber
Hose Static Wire (Yes/No)	Yes
Certifications	UL, cUL

Measurements

Overall Height	19.4"
Overall Width	17"
Overall Depth	17"
Intake Center Line to Discharge Center Line	2"
Intake Center Line to Back of Nozzle Boot	8.5"
Shipping Weight	94 lbs.
Qty per Pallet	8
Box Dimensions:	
Length	21"
Width	20"
Height	17"

